



DRIS IRIS DAMPER

AIR MANAGEMENT SYSTEMS

PRODUCT PROPERTIES IRIS REGULATION AND MEASURING DEVICE

The ideal solution for the exact and quick air flow measuring and regulation.

- Low noise level
- Operation independent of flow direction
- Fully openable for cleaning of duct tight construction
- Solid construction

CONSTRUCTION

The IRIS DAMPER **DRIS** is composed of regulation plates, regulating nut and regulation scale plus manometer connections and casing.

INSTALLATION

The IRIS DAMPER is secured to the ducting with rivets. For vertical mounting, ensure the weight of the interconnecting ductwork is fully supported. Refer to the table for recommended safety distances.

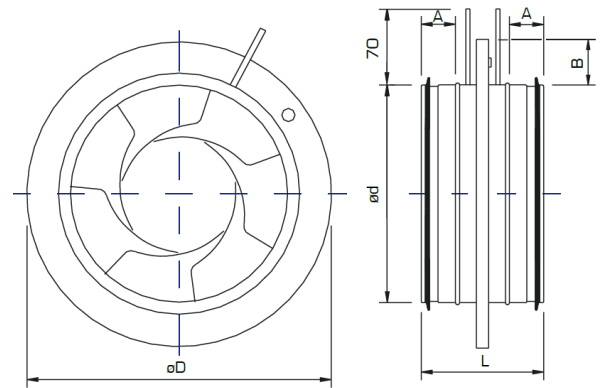
REGULATION AND MEASUREMENT OF AIR FLOW

The regulation plates form a virtually ideal measuring orifice which enables an easy and reliable measurement of the air flow. To determine the airflow, measure the pressure difference Δp_m at the manometer connections and check the corresponding airflow from the regulation chart.

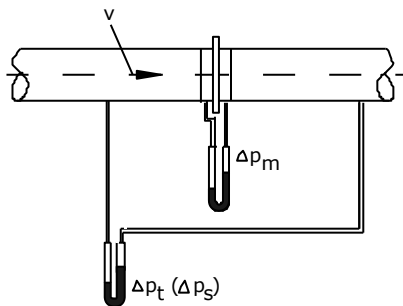
The chart is shown on the damper casing and in the separate information for air flow regulation and measurement (the selection diagrams do not serve the air flow measurement).

The adjustment of the Iris is simple, all that is needed is a standard 13mm spanner and the damper locks in the right position automatically

DIMENSIONS in mm



Size	Ød	ØD	L	A	B
80	79	125	115	33	22
100	99	165	115	27	32
125	124	188	115	27	32
150	149	230	115	27	40
160	159	230	115	27	35
200	199	285	115	27	42
250	249	335	135	33	42
315	314	405	140	33	47
400	398	525	150	46	62
500	498	655	150	46	77
630	628	815	155	46	92
800	798	1015	285	110	107



LIABILITY:

The information contained in this brochure was current on the publication date. DEC INTERNATIONAL reserves the right to make changes in details at any time without prior notice. In order to avoid misunderstandings, any interested party is advised to contact DEC INTERNATIONAL checking for any changes in materials and/or information after this brochure was published.

PLEASE NOTICE:

The consultant is responsible for the actual installation and mounting of the product. The mentioned values with respect to temperatures are not appropriate to be used to determine the physical properties. These properties are also dependent on humidity and the temperature of the air inside and outside of the H.V.A.C. system.

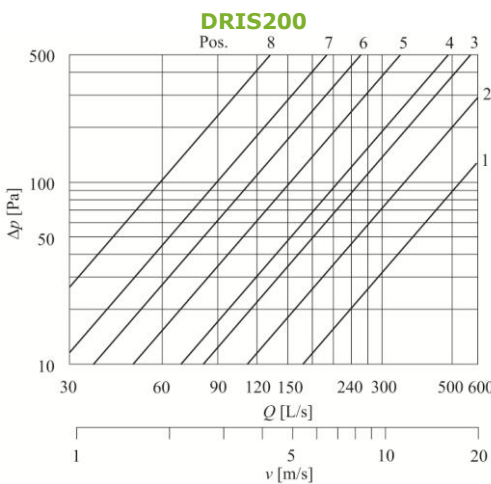
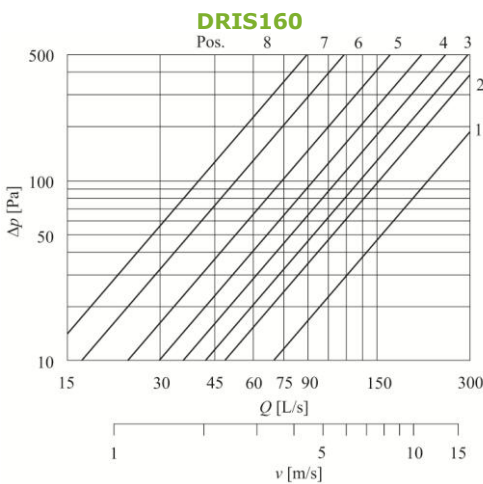
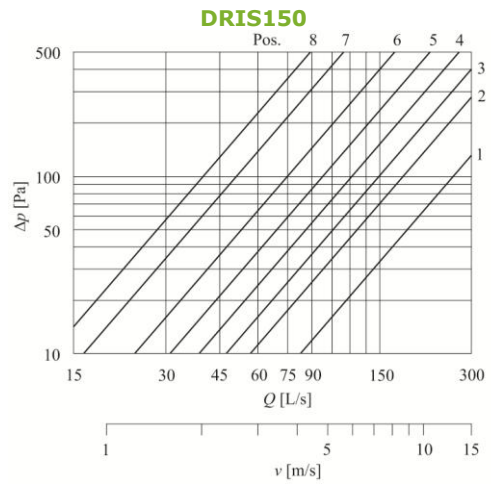
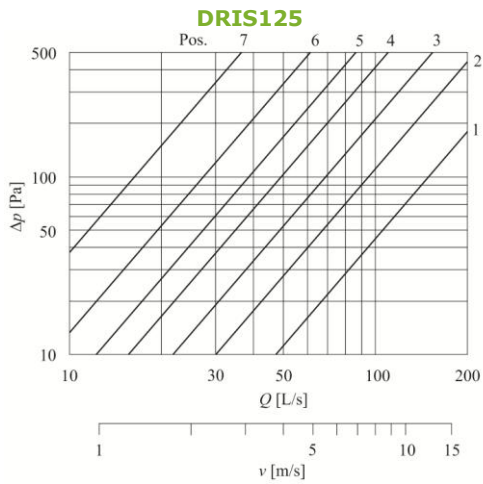
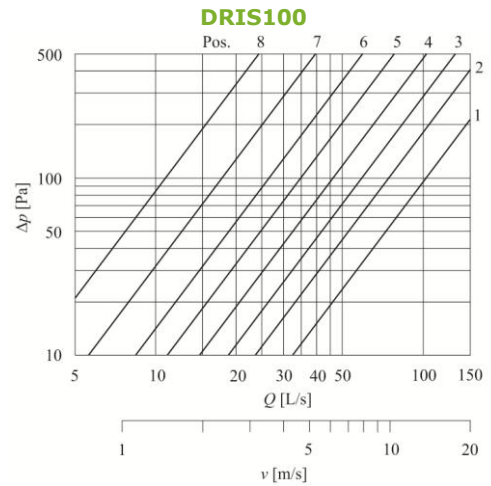
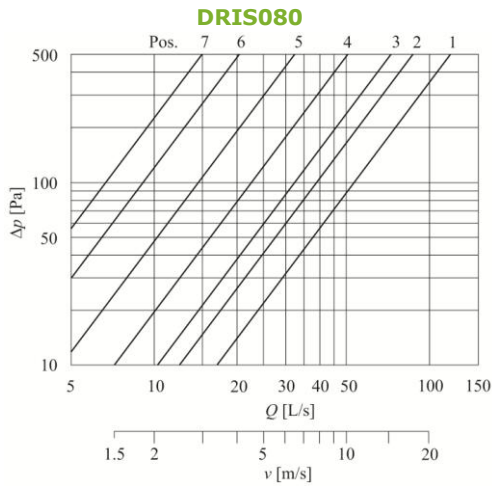
TRADEMARKS:

DEC International and the DEC logo are trademarks, or registered trademarks of Dutch Environment Corporation BV in the Netherlands and/or other countries.



DRIS IRIS DAMPER

AIR MANAGEMENT SYSTEMS



LIABILITY:

The information contained in this brochure was current on the publication date. DEC INTERNATIONAL reserves the right to make changes in details at any time without prior notice. In order to avoid misunderstandings, any interested party is advised to contact DEC INTERNATIONAL checking for any changes in materials and/or information after this brochure was published.

PLEASE NOTICE:

The consultant is responsible for the actual installation and mounting of the product. The mentioned values with respect to temperatures are not appropriate to be used to determine the physical properties. These properties are also dependent on humidity and the temperature of the air inside and outside of the H.V.A.C. system.

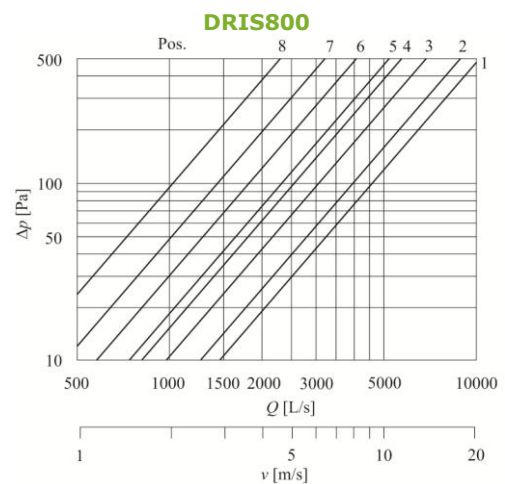
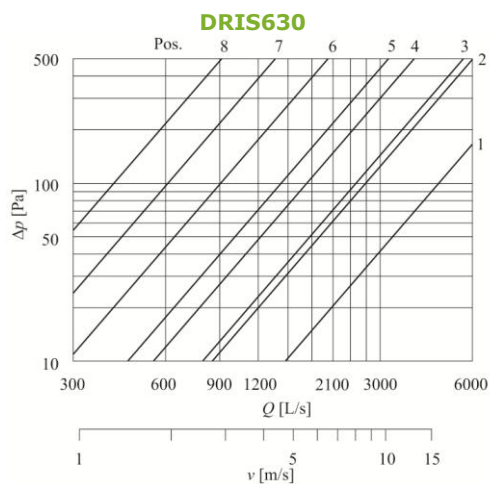
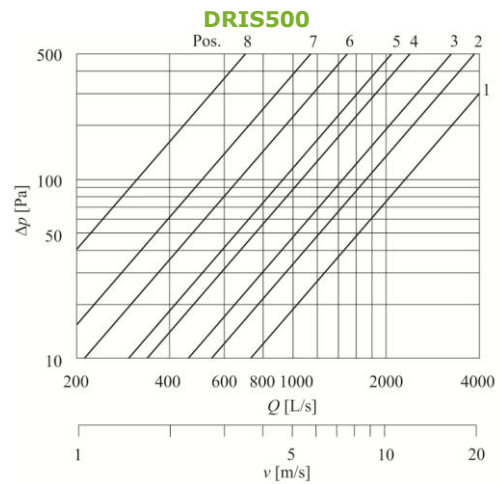
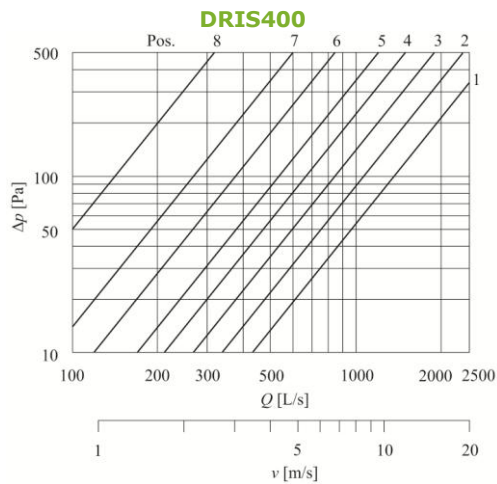
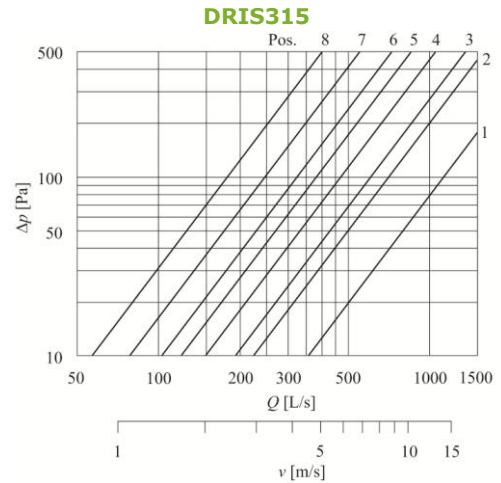
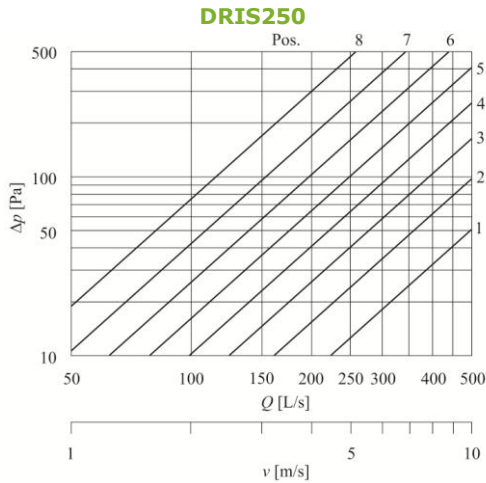
TRADEMARKS:

DEC International and the DEC logo are trademarks, or registered trademarks of Dutch Environment Corporation BV in the Netherlands and/or other countries.



DRIS IRIS DAMPER

AIR MANAGEMENT SYSTEMS



LIABILITY:

The information contained in this brochure was current on the publication date. DEC INTERNATIONAL reserves the right to make changes in details at any time without prior notice. In order to avoid misunderstandings, any interested party is advised to contact DEC INTERNATIONAL checking for any changes in materials and/or information after this brochure was published.

PLEASE NOTICE:

The consultant is responsible for the actual installation and mounting of the product. The mentioned values with respect to temperatures are not appropriate to be used to determine the physical properties. These properties are also dependent on humidity and the temperature of the air inside and outside of the H.V.A.C. system.

TRADEMARKS:

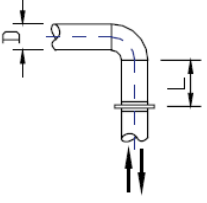
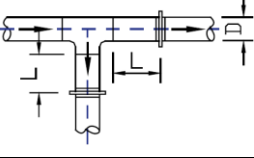
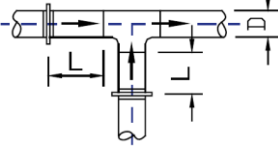
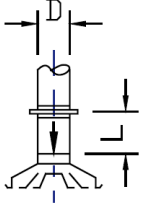
DEC International and the DEC logo are trademarks, or registered trademarks of Dutch Environment Corporation BV in the Netherlands and/or other countries.



DRIS IRIS DAMPER

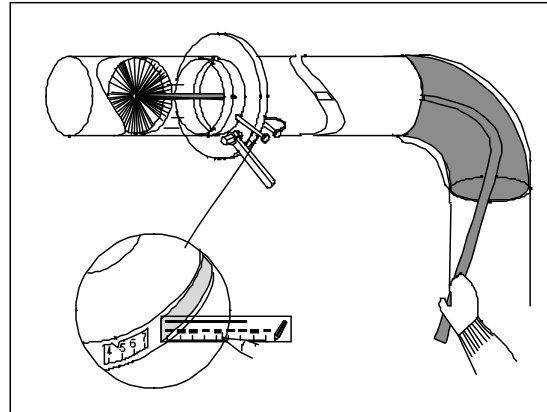
AIR MANAGEMENT SYSTEMS

SAFETY DISTANCES

Type of flow disturbance	The required safety distance L	
	$m^2 = \pm 7\%$	$m^2 = \pm 10\%$
	$\geq 1 D$	$\geq 1 D$
	$\geq 4 D$	$\geq 2 D$
	$\geq 2 D$	$\geq 2 D$
	$\geq 2 D$	$\geq 2 D$

Accuracy of calibration during disturbance free air flow $\pm 5\%$

CLEANING



To ensure the functioning of the inlet air diffuser

SYMBOLS

q_v	air volume	(m^3/h)
Δp_t	total pressure drop	(Pa)
Δp_s	static pressure drop	(Pa)
Δp_m	pressure difference	(Pa)
m_2	method-specific measurement tolerance	%
v	average velocity	(m/s)

LIABILITY:

The information contained in this brochure was current on the publication date. DEC INTERNATIONAL reserves the right to make changes in details at any time without prior notice. In order to avoid misunderstandings, any interested party is advised to contact DEC INTERNATIONAL checking for any changes in materials and/or information after this brochure was published.

PLEASE NOTICE:

The consultant is responsible for the actual installation and mounting of the product. The mentioned values with respect to temperatures are not appropriate to be used to determine the physical properties. These properties are also dependent on humidity and the temperature of the air inside and outside of the H.V.A.C. system.

TRADEMARKS:

DEC International and the DEC logo are trademarks, or registered trademarks of Dutch Environment Corporation BV in the Netherlands and/or other countries.